



MATERIAL HANDLING MACHINE

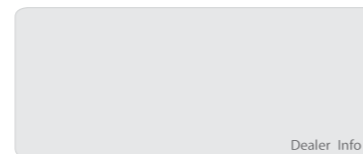


Quality Changes the World



SANY Industrial Park, Gaolan Port Economic and Development Zone,
Zhuhai, Guangdong, China

Tel +86-756-7266963 Service +86-4008-87-8318



Dealer Info



© Printed in China Code: 2011-SMH

SANY Material Handling Machine

The material handling machine has been widely used in steel plants, ports, stacking yards and warehouses to load or stack steel scrap and bulk cargoes as well as to pick up, hoist or cut materials. SANY Material Handling Machine has been applied multiple in-house developed technologies in the areas of energy saving and control, hydraulic linkage, anti-rollover protection, malfunction automatic detection and data real-time display to back up the world leading performance.

Faster Operation

Equipped with Kawasaki large displacement main pump, high efficiency main valve and reducer, can realize fast operation.

Wider Application

Excellent load capacity and optional boom length, adapt to a wider range of operating conditions.

Stronger Power

high torque engine and motor, adopted mature chassis, reliable structure.

More Savings

Controller has positive flow hydraulic system. Engine match with main pump perfectly and energy consumption reduced by 10%.



SMHW30



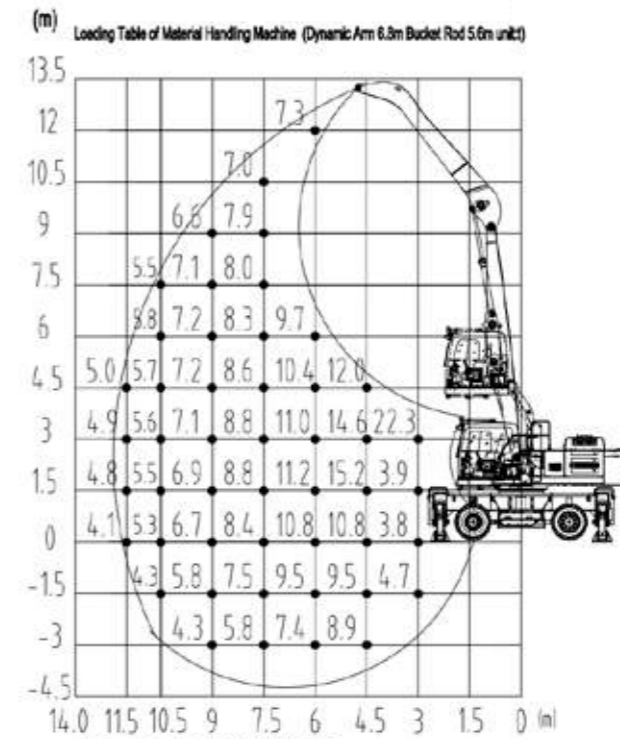
Brief Introduction

Sany 30t Material Handling machine mainly apply to various bulk cargoes grab operation. The whole machine is light and flexible, stable, efficient.

CONFIGURATION PARAMETER

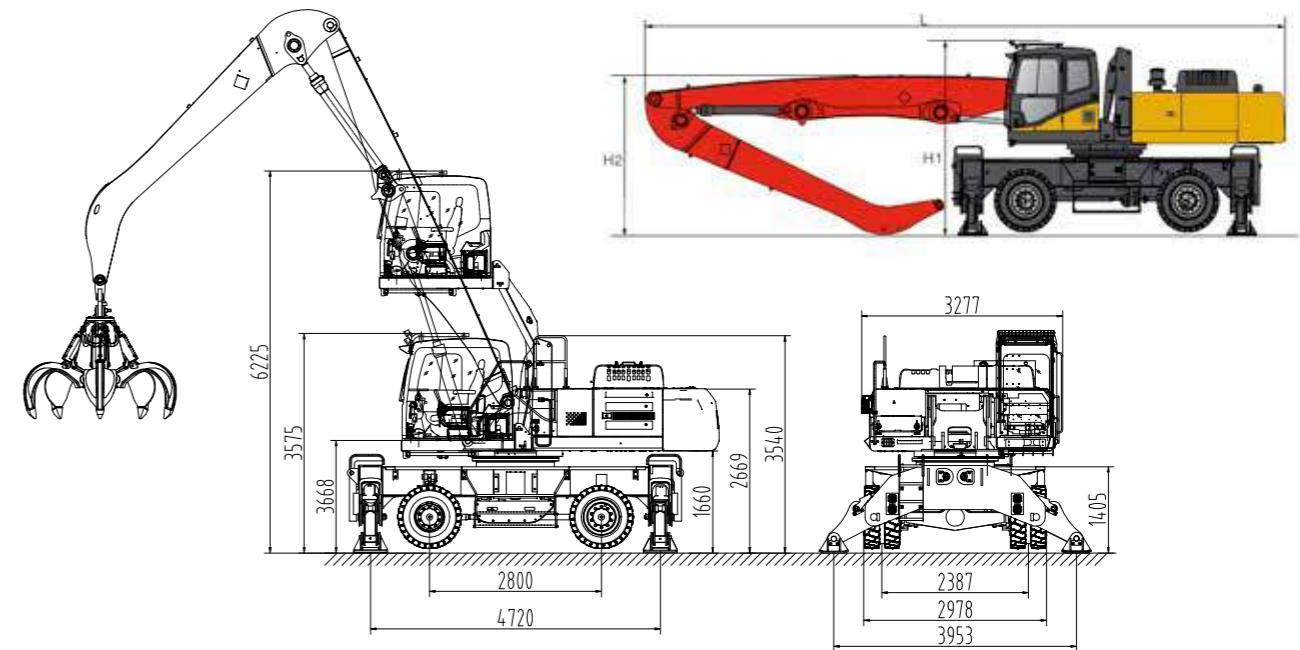
Power system	Engine	Model	Mitsubishi D06FRC-TAA
		Power	147kW/2100rpm
		Torque	750Nm//1350rpm
		Emission	CHN III
		Oil tank	465L
Chassis	Tread width	2387mm	
	Wheelbase	2800mm	
	Vertical span	4720mm	
	Horizontal span	3953mm	
	Turning radius	8600mm	
	Maximum travel speed	20km/h	
Hydraulic system	Control type	Electronic control positive flow system	
	Main pump	Model	Rexroth A28VO130E71CPB/10DRVG3R12F1B2S40-0
		Rated flow	2X260L/min
	Main valve	Kawasaki KMX15RB/B45606-EV1	
	Reducer	Sauter GS14D20C.0	
	Movable boom cylinder	Hengli JSY26.5-DB	
	Stick cylinder	Zhongxing ZX200.3.1B	
	Maximum system pressure	32MPa	
Hydraulic circuit	230L		
Slewing mechanism	Slewing bearing	Sauter SSF1405/40CWH II	
	Maximum slewing speed	8rpm	
Operation Cabin	Lifting height	2650mm	
Operation basic parameter	Boom specification	Maximum working radius	12m
		Maximum working height	11.5m
		Maximum working depth	-3 m
	Theoretical load on maximum radius point(including grab)	5t	

Working range



Explain: The weight in the capacity chart include grapple.

The diagram of dimension



	The length of movable hinge point	The length of stick point	L	H1	H2
Boom combination(standard)	6.8m	5.6m	5.85m	3.61m	3m

SMHC35



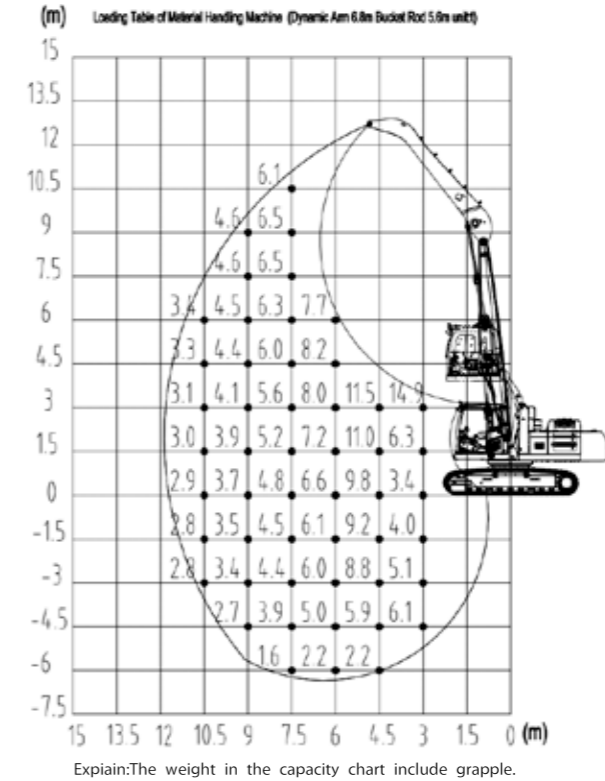
Brief Introduction

Sany 35t Material Handling machine mainly apply to grab and loading or unloading operation for waste steel and bulk, with high efficiency, super high performance, safety and reliability.

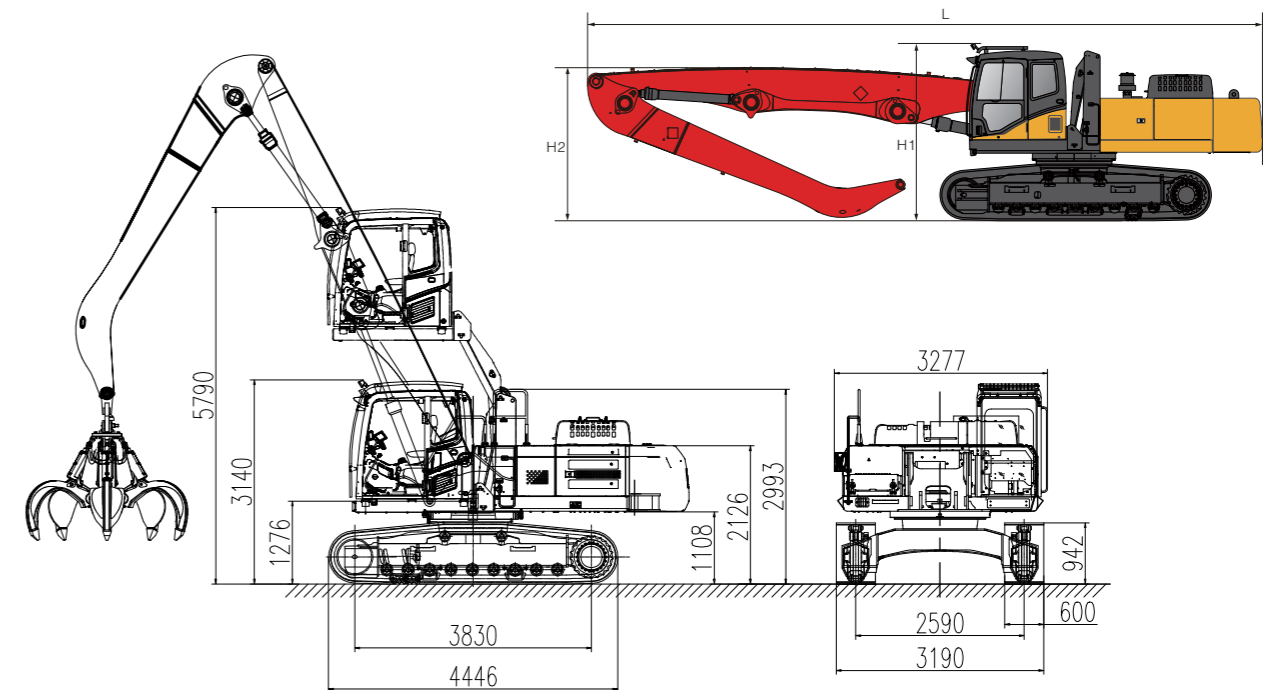
CONFIGURATION PARAMETER

Power system	Engine	Model	Mitsubishi D06FRC-TAA
		Maximum power	147kW/2100rpm
		Maximum torque	750Nm//1350rpm
		Emission	CHN III
		Oil tank	465L
Moving system	Working rail span		2590mm
	Tread width		3830mm
	Track width		600mm
	Maximum travel speed		5km/h
Hydraulic system	Control type		Electronic control positive flow system
	Main pump	Model	Kawasaki K7V125DTP1N9R-0E05-1V
		Rated flow	2X260L/min
	Main valve		Kawasaki KMX15RB/B45217A-V
	Reducer		Sauter GS14D20C.0
	Movable boom cylinder		Hengli JSY26.5-DB
	Stick cylinder		Zhongxing ZX200.3.1B
	Maximum system pressure		32MPa
Hydraulic oil tank		230L	
Slewing mechanism	Slewing bearing		Sauter SSF1405/40CWH II
	Maximum slewing speed		8rpm
Operation cabin	Lifting height		2650mm
Operation basic parameters	Boom specification		12m
	Maximum working radius		10.5m
	Maximum working height		10.5m
	Maximum working depth		-6m
	Theoretical load on maximum radius point(including grab)		3.4t

Working range



The diagram of dimension



	The length of movable hinge point	The length of stick point	L	H1	H2
Boom combination(standard)	6.8m	5.6m	10.4m	3.14m	2.58m

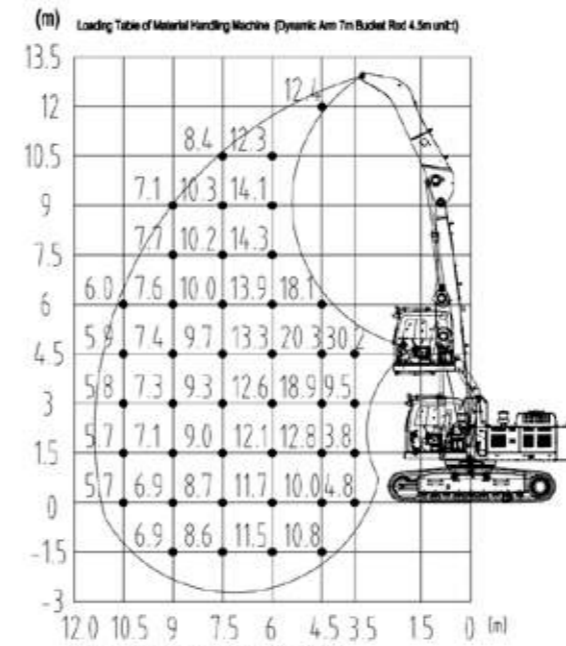
SMHC45



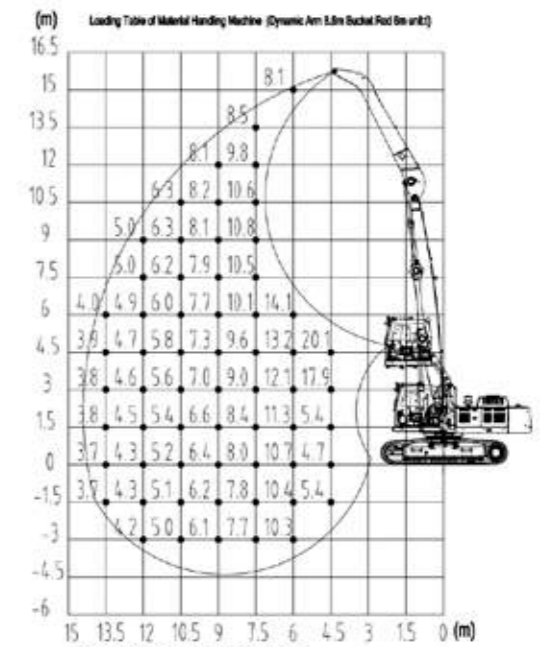
Brief Introduction

Sany 45t Material Handling machine mainly apply to grab and loading or unloading operation for waste steel and bulk, with high efficiency, super high performance, safety and reliability.

Working range



Explain: The weight in the capacity chart is the load when arm is installed at the lower hinge point. The weight in the capacity chart include grapple.

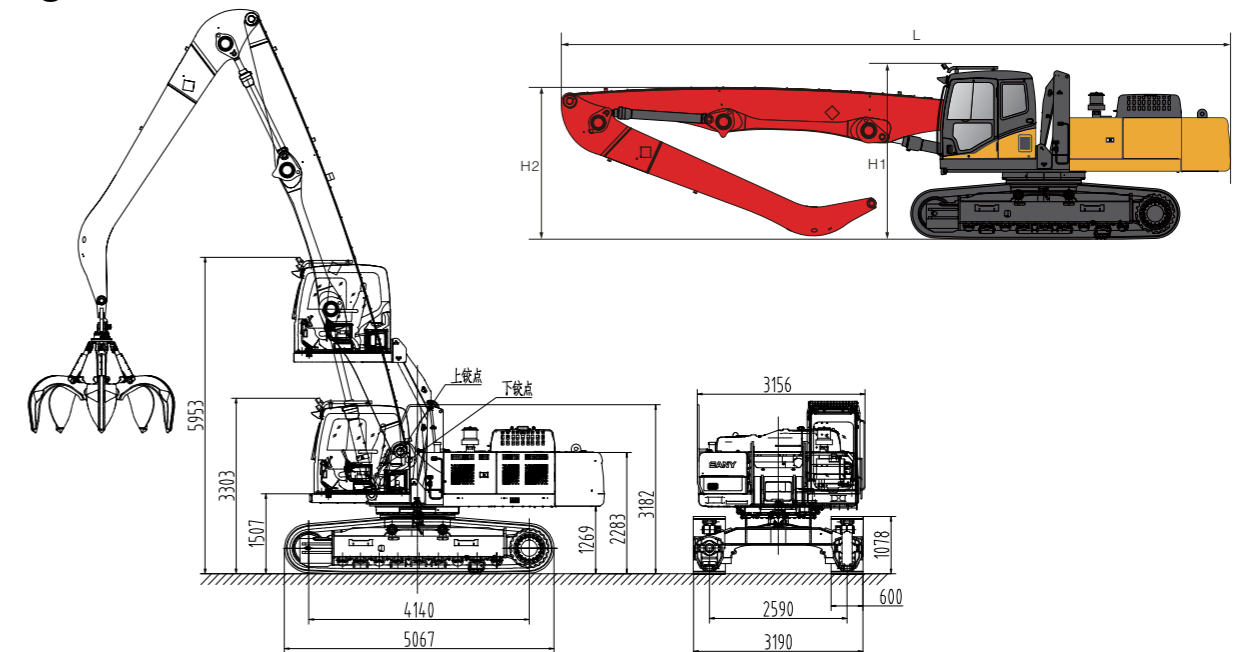


Explain: The weight in the capacity chart is the load when arm is installed at the lower hinge point. The weight in the capacity chart include grapple.

CONFIGURATION PARAMETER

Power system	Engine	Model	ISUZU 6HK1-XDHAG-01-C3			
		Maximum power	212kW/2000rpm			
		Maximum torque	1080Nm//1500rpm			
		Emission	CHN III			
		Oil tank	540L			
Moving system	Working rail span		2590mm			
	Tread width		4140mm			
	Track width		600mm			
	Maximum travel speed		5km/h			
Hydraulic system	Control type		Electronic control positive flow system			
	Main pump	Model	Kawasaki K5V160DTH1SXR-9T46-BV			
		Rated flow	2X320L/min			
	Main valve		Kawasaki KMX15RB/B45606-EV1			
	Reducer		Kawasaki M5X180CHB-10A-6RA/265-RG20D25			
	Movable boom cylinder		Zhongxing ZXSMHW40.1.3			
	Stick cylinder		Zhongxing ZXWMHW40.1.4			
	Maximum system pressure		32MPa			
Hydraulic oil tank		340L				
Slewing mechanism	Slewing bearing		Sauter SSF1405.50CWHII			
	Maximum slewing speed		8rpm			
Operation cabin	Lifting height		2650mm			
Operation basic parameters	Boom specification		11m		14m	
			Movable boom: 7m		Movable boom: 8.6m	
			Stick: 4.5 m		Stick: 6m	
	Assembly hinge point of boom in the slewing platform		Upper hinge point	Nether hinge point	Upper hinge point	Nether hinge point
	Maximum working radius		10.5m	10.5m	13.5m	13.5m
	Maximum working height		10.5m	12m	13.5m	15m
Maximum working depth		-3m	-1.5m	-6m	-3m	
Theoretical load on maximum radius point(including grab)		6t	6t	3.9t	4t	

The diagram of dimension



	The length of movable hinge point	The length of stick point	L	H1	H2
Boom combination 1	7m	4.5m	11m	3.31m	2.76m
Boom combination 2	8.6m	6m	12.58m	3.31m	2.76m

SMHW48



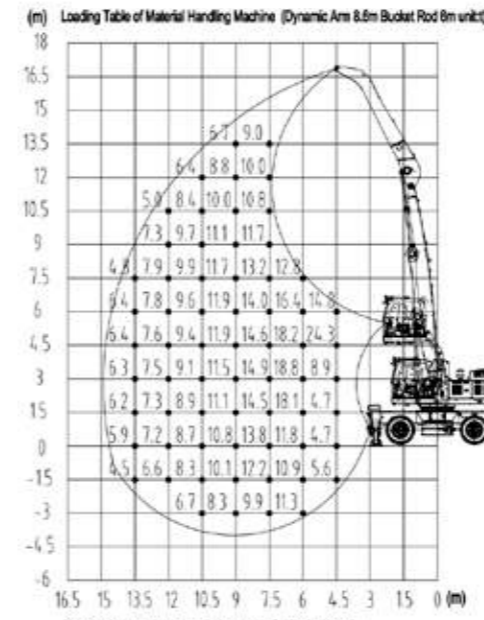
Brief Introduction

Sany 48t Material Handling machine widely apply to loading and unloading bulk material at railway or river terminals, with various boom combination option to meet different working conditions, wider working range, high efficiency.

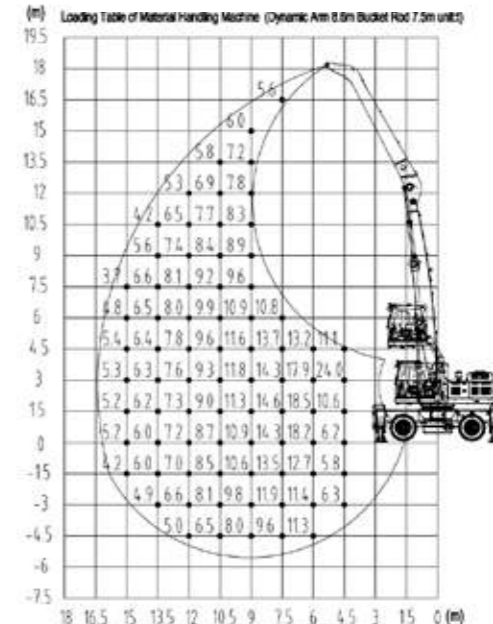
CONFIGURATION PARAMETER

Power system	Engine	Model	ISUZU 6HK1-XDHAG-01-C3									
		Power	212kW/2000rpm									
		Torque	1080Nm//1500rpm									
		Emission	CHN III									
		Oil tank	540L									
Power system	Tread width		2445 mm									
	Wheelbase		3200mm									
	Vertical span		5300mm									
	Horizontal span		4600mm									
	Turning radius		6000mm									
	Maximum travel speed		20km/h									
Hydraulic system	Control type		Electronic control positive flow system									
	Main pump	Model	Kawasaki K5V160DTP1X7R-0E40-BV									
		Rated flow	2X320L/min									
	Main valve		Kawasaki KMX15RB/B45606-EV1									
	Reducer		Kawasaki M5X180CHB-10A-6RA/265-RG20D25									
	Movable boom cylinder		Zhongxing ZXSMHW40.1.3									
	Stick cylinder		Zhongxing ZXWMHW40.1.4									
	Maximum system pressure		32MPa									
Hydraulic oil tank		340L										
Slewing mechanism	Slewing bearing		Kawasaki SSF1405.50CWHII									
	Maximum slewing speed		8rpm									
Operation cabin	Lifting height		2650mm									
Operation basic parameters	Boom specification	14m		16m		17m		18m		20m		
		Movable boom: 8.6m		Movable boom: 8.6m		Movable boom: 9.6m		Movable boom: 10.5 m		Movable boom: 10.5 m		
		Stick: 6m		Stick: 7.5m		Stick: 7.5m		Stick: 7.5m		Stick: 9.5m		
	Assembly hinge point of boom in the slewing platform		Upper hinge point	Nether hinge point	Upper hinge point	Nether hinge point	Upper hinge point	Nether hinge point	Upper hinge point	Nether hinge point	Upper hinge point	Nether hinge point
	Maximum working radius		13.5m	13.5m	15m	15m	16.5 m	16.5m	16.5m	16.5m	19.5 m	18m
	Maximum working height		12m	13.5m	12m	16.5m	13.5m	16.5m	15m	16.5m	16.5 m	18m
	Maximum working depth		-4.5m	-3 m	-6m	-4.5 m	-6m	-4.5 m	-6m	-4.5 m	-9m	-6m
	Theoretical load on maximum radius point(including grab)		6.4t	6.4t	5.3t	5.4t	4.4t	4.4t	4.4t	4.5t	3.1t	3.8t

Working range

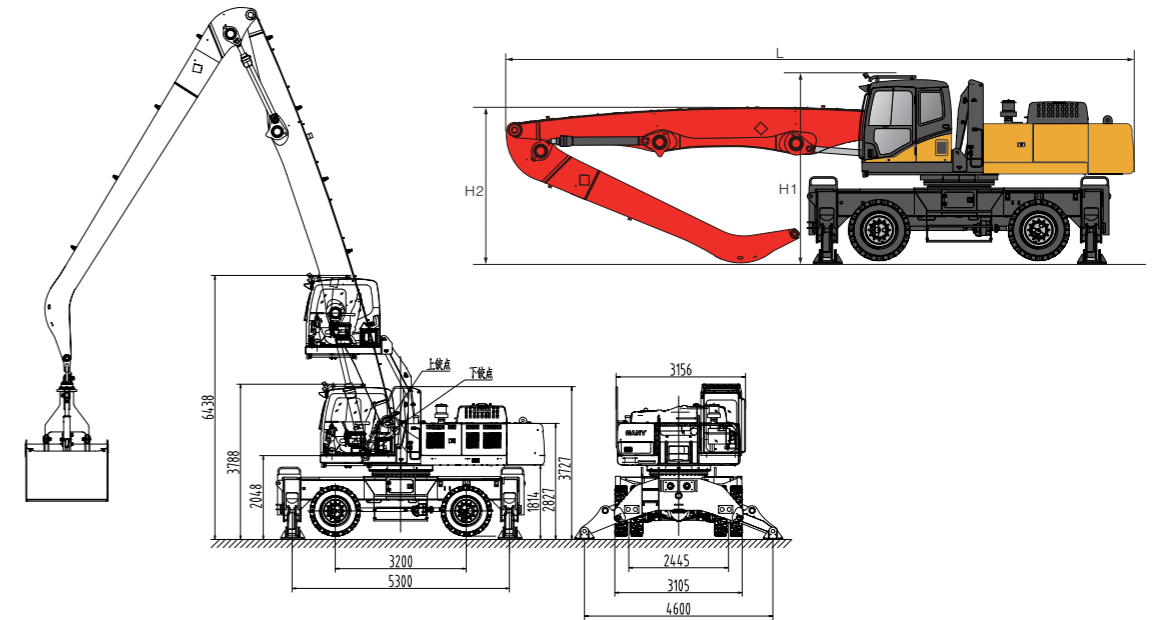


Explain:The weight in the capacity chart is the load when arm is installed at the lower hinge point. The weight in the capacity chart include grapple.



Explain:The weight in the capacity chart is the load when arm is installed at the lower hinge point. The weight in the capacity chart include grapple.

The diagram of dimension



	The length of movable hinge point	The length of stick point	L	H1	H2
Boom combination 1	8.6m	6m	12.24m	3.708m	3m
Boom combination 2	9.6m	7.5m	13.32m	3.708m	5.2m
Boom combination 1	10.5 m	9.5m	14.23m	3.708m	6.1m

SMHC50-D



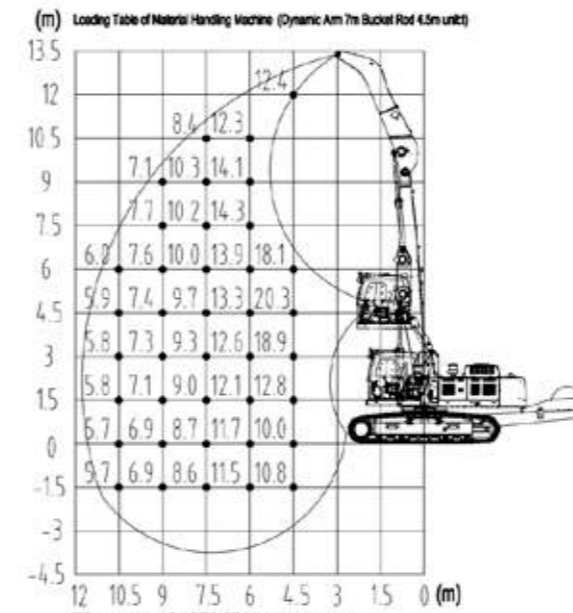
Brief Introduction

Sany 50D Materials Handler is pure electric machine. Equipped with different grabs to apply to the loading and unloading of bulk materials and waste steel. Driving by motor, zero exhaust, more environmental and saving 50% cost comparing internal combustion engine machine.

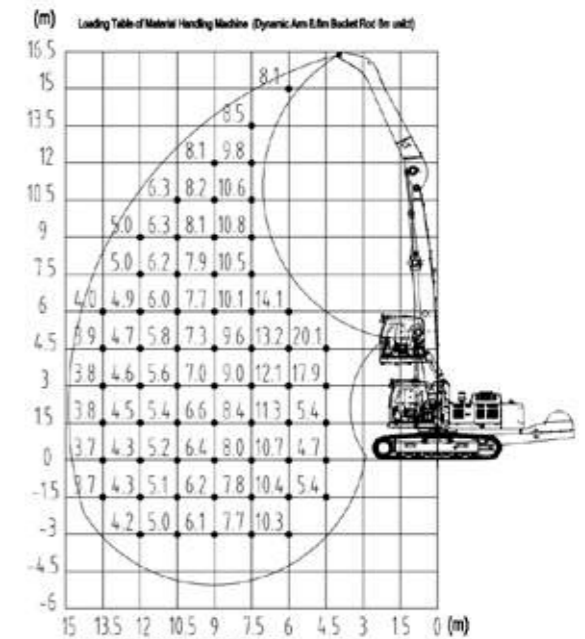
CONFIGURATION PARAMETER

Power system	Motor	Model	Chang Diantou			
		Rated power	160kW/1480rpm			
		Voltage	380V, 50Hz			
		Start type	Soft Start			
Moving system	Working rail span		2590mm			
	Tread width		4140mm			
	Track width		600mm			
	Maximum travel speed		5km/h			
Hydraulic system	Control type		Electronic control positive flow system			
	Main pump	Model	Kawasaki K5V200DTH1X5R-OE30-BV			
		Rated flow	2X390L/min			
	Main valve		Kawasaki KMX15RB/B45606-EV1			
	Reducer		Kawasaki M5X180CHB-10A-6RA/265-RG20D25			
	Movable boom cylinder		Zhongxing ZXSMHW40.1.3			
	Stick cylinder		Zhongxing ZXWMHW40.1.4			
Maximum system pressure		32MPa				
Hydraulic oil tank		340L				
Slewing mechanism	Slewing bearing		Sauter SSF1405.50CWHII			
	Maximum slewing speed		8rpm			
Operation cabin	Lifting height		2650mm			
Operation basic parameters	Boom specification		Movable boom: 7m	Movable boom: 8.6m		
			Stick: 4.5 m	Stick: 6m		
	Assembly hinge point of boom in the slewing platform		Upper hinge point	Nether hinge point	Upper hinge point	Nether hinge point
	Maximum working radius		10.5m	10.5m	13.5m	13.5m
	Maximum working height		10.5m	12m	13.5m	15m
	Maximum working depth		-3m	-1.5m	-6m	-3m
Theoretical load on maximum radius point(including grab)		6t	6t	3.9t	4t	

Working range

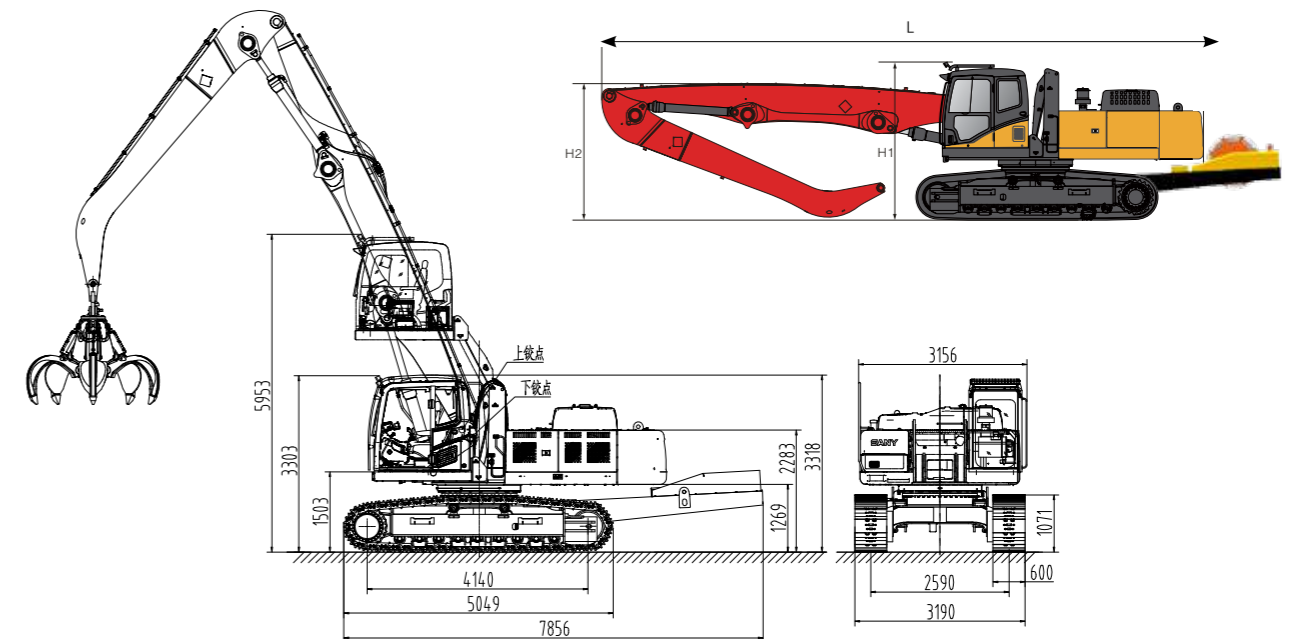


Explain: The weight in the capacity chart is the load when arm is installed at the lower hinge point. The weight in the capacity chart include grapple.



Explain: The weight in the capacity chart is the load when arm is installed at the lower hinge point. The weight in the capacity chart include grapple.

The diagram of dimension



	The length of movable hinge point	The length of stick point	L	H1	H2
Boom combination 1	7m	4.5 m	12.8m	3.31m	2.76m
Boom combination 2	8.6m	6m	14.38m	3.31m	2.76m

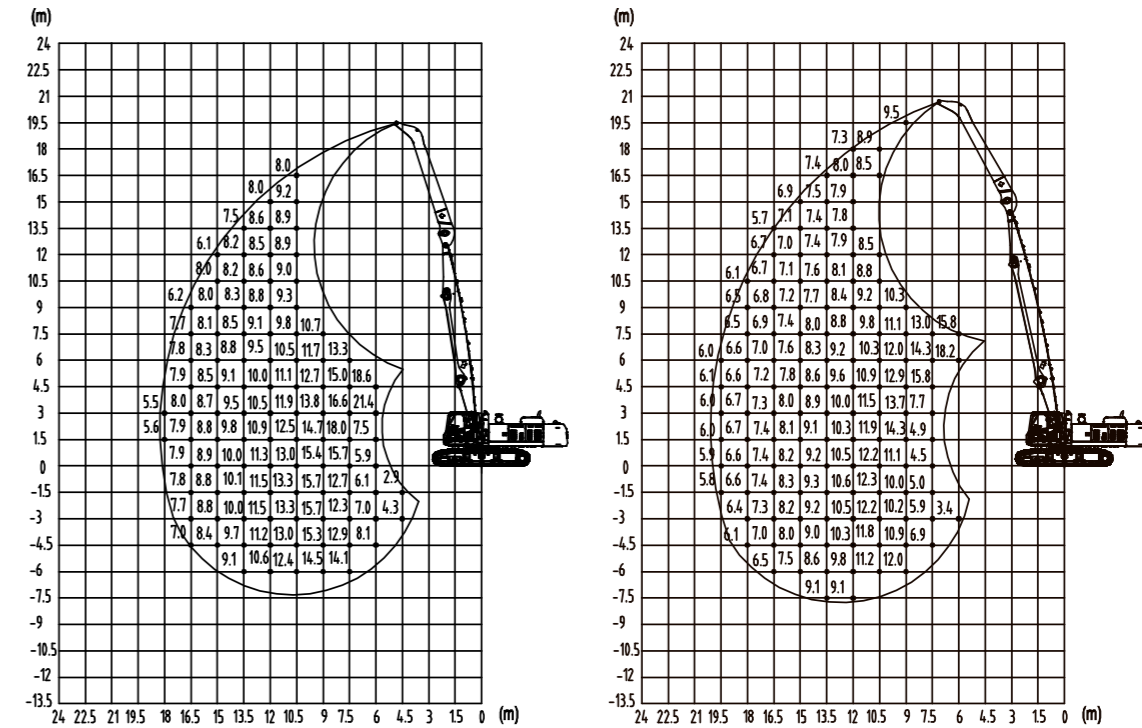
SMHC70



Brief Introduction

Sany 70t Material Handling machine equips with dual powers, mainly apply to bulk materials loading and unloading in river terminals. It has big double shell grab and various boom combination, working wider range, high efficiency, unloading completely.

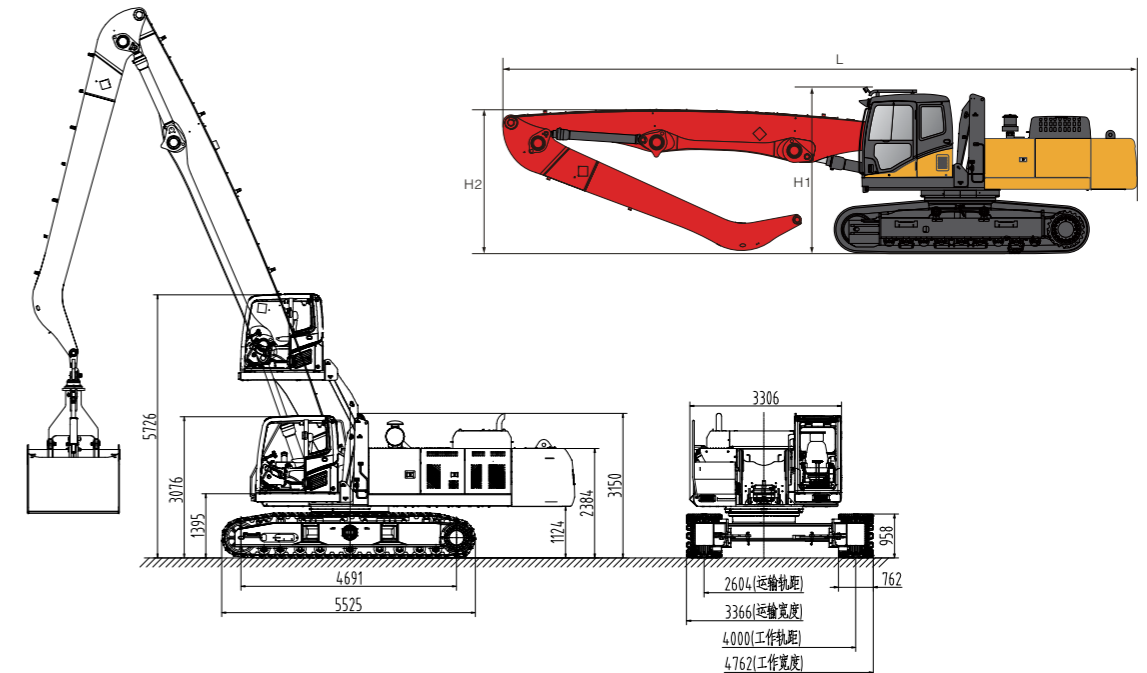
Working range



CONFIGURATION PARAMETER

Power system	Engine	Model	CUMMINS QSL8.9-C360-30
		Maximum power	264kW/2100rpm
		Maximum torque	1500Nm/1500rpm
		Emission	CHN III
	Motor	Oil tank	600L
		Model	Chang Diantou Y250-380-407
		Rated power	250kW/1490rpm
	Voltage	380V, 50Hz	
	Start type	Soft starting	
Moving system	Working rail span	4000mm	
	Tread width	4691mm	
	Track width	762mm	
	Maximum travel speed	3km/h	
Hydraulic system	Control type	Electronic control positive flow system	
	Main pump	Model	Engine connect pump: Kawasaki K5V200DTH1X5R-OE30-BV Motor connect pump: Kawasaki K3V280DTH1GZR-OE82-BVB
		Rated flow	Working with engine : 2X390L/min Working with motor: 2X417L/min
	Main valve	Park M02560PH-A	
	Reducer	Kawasaki M5X250CHB-10A-15A/275-RG27D25E	
	Movable boom cylinder	Zhongxing ZXSMHC70.8.3.1	
	Stick cylinder	Zhongxing ZXSMHW40.1.3	
	Maximum system pressure	34.3MPa	
Hydraulic oil tank	500L		
Slewing mechanism	Slewing bearing	Sauter SSf1530/60CWHV	
	Maximum slewing speed	8rpm	
Operation cabin	Lifting height	2650mm	
Operation basic parameters	Boom specification	18m	20m
		Movable boom: 10.5 m	Movable boom: 12.5 m
		Stick: 7.5 m	Stick: 7.5m
	Maximum working radius	16.5m	19.5m
	Maximum working height	15m	19m
	Maximum working depth	-7.5m	-7.5m
Theoretical load on maximum radius point(including grab)	8.0t	6.1t	

The diagram of dimension



	The length of movable hinge point	The length of stick point	L	H1	H2
Boom combination 1	10.5m	7.5m	15300mm	3140mm	6800mm
Boom combination 2	12.5m	7.5m	17560mm	3140mm	6230mm

OPTIONAL ATTACHMENTS



Plum blossom grab



Double shell grab



Wood log grab

Grab configuration						
Material type		Density (t/m ³)	Grab type	Grab model	Capacity (m ³)	Weight (t)
Waste material	Steel, rubber	1	Plum blossom grab	SLM1000	1	2.12
Super light density material	Fertilizer, fodder	0.6	Double shell grab	SLS5006	5	2.97
Light density material	Coal	0.8	Double shell grab	SLS3508	3.5	2.77
Middle density material	Sand, grit	1.6	Double shell grab	SLS2525	2.5	2.42
Strong density material	Iron ore	2.4	Double shell grab	SLS1525	1.5	2.34
Wood log	3m long	0.8	Wood log grab	SWY2000	2m ²	2.06

The data above maybe be changed due to constant update of technology. The specific parameters shall be subject to the contract.

Shots from the Steel Factories



Masteel Group



Benxi Steel Group



Shougang Group



Hunan Valin Steel (Xiangtan)



Taiyuan Iron and Steel Group



Jianlong Steel

Shots from the Railway



Anhui, China



Rizhao Port



Heilongjiang, China



Heilongjiang, China

Shots from the Ports



Jiangsu, China



Henan, China



Sichuan, China



Guangdong, China



Thailand

Shots from the Jobsites



Australia



Guangxi, China



Russia



Liaoning, China



Henan, China



Jiangsu, China



Hebei, China



Changzhou, China



Henan, China



Tianjin, China



Guizhou, China

Shots from the Jobsites



Shanghai, China



Indonesia



Bangladesh



Shandong, China



Yangchun, China



Jiangsu, China



Ningxia, China

SERVICE

Carefree Service



品质改变世界 服务创造价值
Quality Changes the World Service Creates value



Support Service: **+86-4008-87-8318**

Service vision:

Exceed customer expectation and industry standards.

Service mission:

All for client, create value for customer

Service commitment:

- (1) Reply customer within 15 minutes.
- (2) Reach main service area within 2 hours.
- (3) Solve general problems and provide regular parts within one day.
- (4) Solve customer complaints with two days.
- (5) Solve all issues within 7 days.

Service value:

Innovation、Excellence、Clients、Cooperation、Respect、Passion、Honesty、Responsibility

Service advantage:

“Professional service power” : Sany has offices in over 200 countries and regions, with 11 subsidiaries and 35 service points in domestic together. Setting up the parts warehouse can cover the world range, Forming the four in one of parts supply and guarantee system by headquarters warehouse, regional center warehouse, provincial and prefecture-level city, Accommodating 80000 kinds of parts to ensure fully customer service requirements in time.

“Professional operation and maintenance system” : Sany has invested tens of million of RMB to build “Sany Customer cloud APP” ,which enable customers to monitor the running status and parameters of the equipment in real time anywhere in the world. In addition, it provides online consultation, community communication, accessories mall, one-click repair, maintenance reservation, product knowledge learning and other value-added service. So the customer can easily enjoy the highest quality of service in any place of the world.

