

SHANTUI

Member of **SDHI** Group

SE12

Mini Crawler Excavator



Emissions Certified	Stage V
Gross Power	9.8 kW (13 hp) @ 2300 rpm
Operating Weight	1 200 kg
Bucket Size	0.022 m ³
Max. Digging Depth	1580 mm

VALUE THAT WORKS

TECHNICAL PARAMETERS SE12

ENGINE

Model	Kubota D782
Type	Direct injection
No. of cylinders	3
Emission standard	Tier 4 and Euro 5
Displacement	1.0 L
Rated power	9.8 kW(13hp)/ 2300rpm

HYDRAULIC SYSTEM

Type	Fixed displacement pump
Max. flow	18.4 L/min

DIGGING FORCE

Bucket digging force	10.4 kN
Arm digging force	5.4 kN

BUCKET

Type	Standard digging bucket
Bucket capacity	0.022 m ³
Bucket width	360 mm

TRAVEL SYSTEM

Travel motor	Danfoss
No. of track rollers	3x2
No. of carrier rollers	2x1
Track type/ track shoe width	Rubber / 180 mm (optional steel track)
Travel speed	2.0/3.5 km/h
Gradeability	25°

SWING SYSTEM

Swing speed	0 ~11 r/min
Brake type	n/a

FLUIDS AND LUBRICANTS (L)

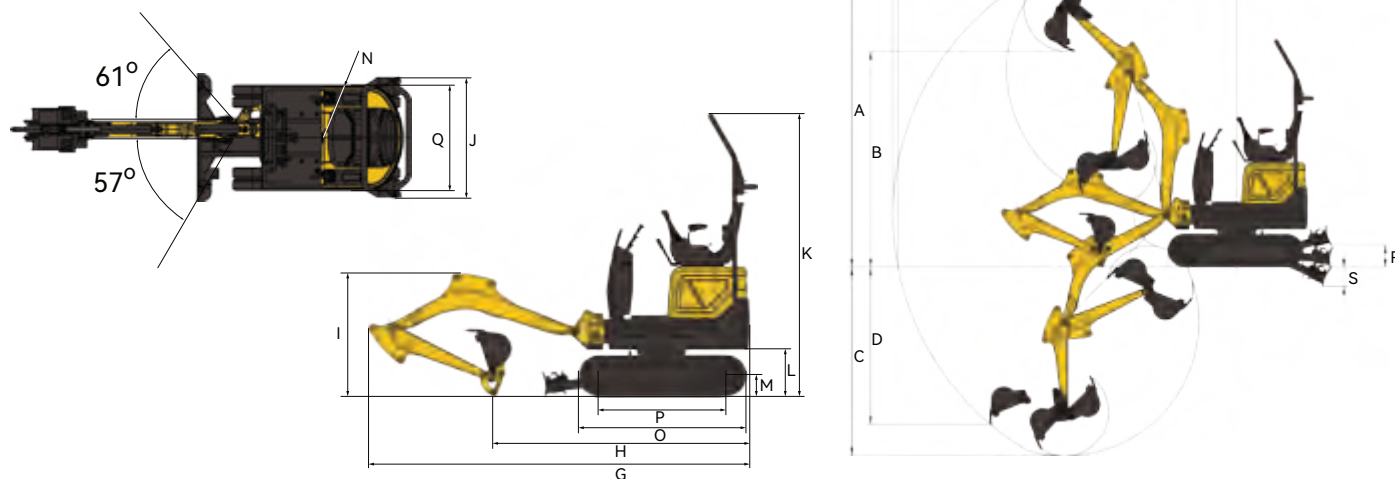
Fuel tank	10
Cooling system	3.1
Engine oil	3.8
Hydraulic oil tank	16.3

OPERATING WEIGHT AND GROUND PRESSURE

Operating weight	1200 kg
Ground pressure	29 kPa

OPERATING RANGE (mm)

Boom: 1450	Arm: 890
A. Max. digging height	3017
B. Max. dumping height	2147
C. Max. digging depth	1837
D. Max. vertical digging depth	1580
E. Digging distance	3360
F. Dig radius (ground level)	3310
G. Overall length	3025
H. Ground contact length (transportation)	1835
I. Overall height (to top of a boom)	967
J. Overall width	830/1000
K. Overall height (to top of roof)	2260
L. Counter weight ground clearance	393
M. Ground clearance	108
N. Tail swing radius	700
O. Track length	1335
P. Track gauge	650/820
Q. Track width	830/1000
R. Dozer height	220
S. Dozer dig depth	188



* THE SPECIFICATIONS ARE SUBJECT TO CHANGE WITHOUT NOTICE.
THE PICTURES MAY INCLUDE OPTIONAL CONFIGURATION; THE ACTUAL COLOR AND APPEARANCE OF THE PRODUCT MAY DIFFER FROM WHAT IS SHOWN



SHANTUI BELGIUM (EUROPE) SRL

Mondeolaan 1/A
3600 Genk
BELGIUM

mail: europe@shantui.com
phone: +32 89 358 430
www.shantui-eu.com

Contact us!

SHANTUI

Member of SDHi Group