

# SHANTUI

## SE75

Crawler Excavator



Engine Model: Kubota V3307T  
Gross Power: 48.9 kW/2000 rpm  
Operating Weight: 7,650 kg  
Bucket Capacity: 0.32 m<sup>3</sup>

All-round Champion  
load sensing system

# SE75 SPECIFICATIONS

## ENGINE

Model	Kubota V3307 T
Type	Water cooled, direct injection, turbocharged
No. of cylinder	4
Emission	Tier 3 / Stage III
Displacement	3.331L
Power output	48.9kW/2000rpm

## HYDRAULIC SYSTEM

Type	Axial Variable plunger pump
Max. discharge flow	160L/min

## DIGGING FORCE (ISO6015)

Bucket	66 kN
Arm	44 kN

## BUCKET

Type	Backhoe bucket
Capacity	0.13~0.32 (0.32)m <sup>3</sup>
Width	900mm

## TRAVEL SYSTEM

Type	Axial variable plunger motor
Track roller	5x2
Carrier roller	1x2
Track shoe	39x2
Travel speed	2.9/4.8 km/h
Max. Drawbar pull	86.5kN
Gradeability	70% (35°)

## SWING SYSTEM

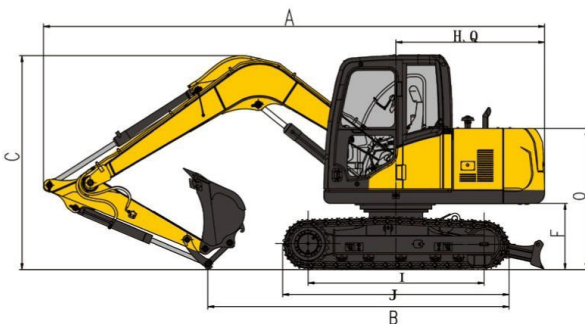
Swing motor type	Swash plate plunger motor
Swing speed	0~11r/min
Brake type	Pressure release, mechanical braking

## REFILLING CAPACITIES & LUBRICATIONS

Fuel tank	155L
Cooling system	11L
Engine oil	11L
Hydraulic oil tank	75L
System Capacity	145L

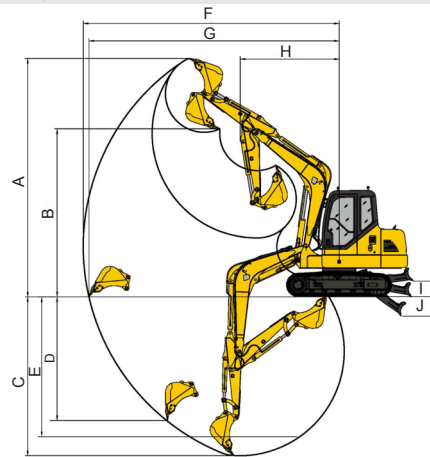
## OPERATING WEIGHT AND GROUND PRESSURE

Shoe width	450mm
Ground pressure	34kPa
Operating weight	7650kg



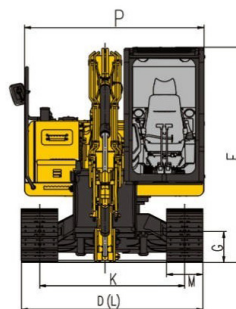
## SCOPE OF WORK (mm) (BOOM: 3710 mm ARM: 1650 mm)

A	Max. digging height	7100
B	Max. dumping height	5105
C	Max. digging depth	3990
D	Max. vertical digging depth	3390
E	Max. depth cut for 2500mm level bottom	3660
F	Max. digging distance	6375
G	Max. digging radius at ground level	6220
H	Min. swing radius of work equipment	1950
I	Max lifting height of bulldozer	385
J	Max cutting depth of the bulldozer	225



## DIMENSIONS (mm)

A	Overall length	6240
B	Ground contact length (Transportation)	3750
C	Overall height (to top of boom)	2660
D	Overall width	2260
E	Overall height (to top of cab)	2680
F	Counter weight ground clearance	825
G	Ground clearance	385
H	Tail swing radius	1880
I	Tread	2195
J	Track length	2820
K	Track gauge	1800
L	Track width	2250
M	Shoe width	450
O	Bonnet height	1755
P	Revolving frame width	2230
Q	Distance from swivel center to tail	1850



\* THE SPECIFICATIONS ARE SUBJECT TO CHANGE WITHOUT NOTICE. THE PICTURES MAY INCLUDE OPTIONS. THE ACTUAL COLOR & APPEARANCE OF THE PRODUCT MAY DIFFER FROM WHAT IS SHOWN.



Shantui Social

**SHANTUI CONSTRUCTION MACHINERY CO., LTD.**  
 ADD: No. 58, G327 Highway, Jining City, Shandong, CHINA  
 TEL: +86-537-2909369  
 FAX: +86-537-2311219  
 EMAIL: trade@shantui.com  
 WEB: www.shantui.com

**SHANTUI**  
 LET'S MAKE CONSTRUCTION EASIER