

# SHANTUI

# SSL75V-M

Skid Steer



Emissions Certified	Stage V
Gross Power	55.4 kW (74 hp) @ 2600rpm
Operating Weight	4.000 kg
Bucket Size	0.05 m <sup>3</sup>
Dump Clearance	2500 mm

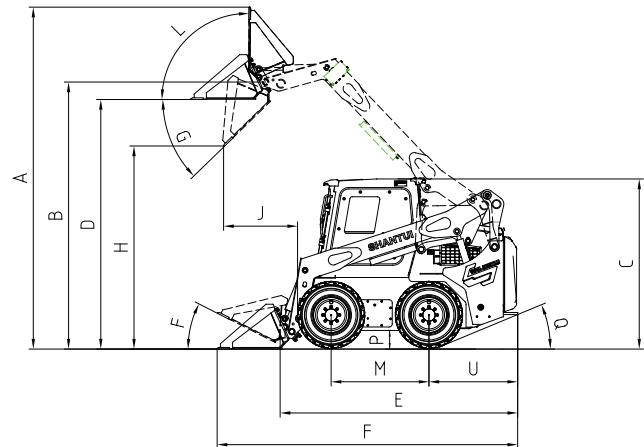
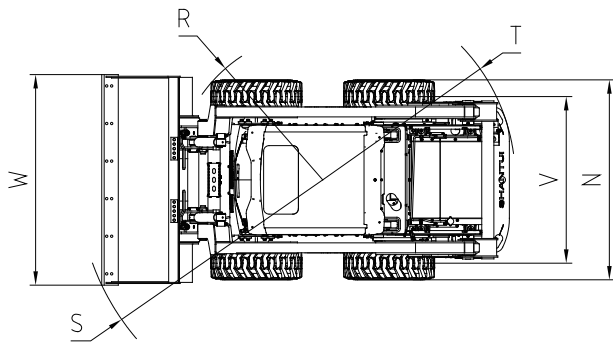
## VALUE THAT WORKS

# SSL75V-M SPECIFICATIONS

Unit	SSL75V-M
<b>MAIN SPECIFICATION</b>	
Engine Model	Kubota V3307-TE5A
Emission Standard	EPA4F/EU Stage5/China IV
Rated Power	kW/rpm 55.4/2600
Operating Weight	kg 4000
Rated Payload	kg 1360
Bucket Capacity	m <sup>3</sup> 0.5
L×W×H	mm 3660×1905×2065
<b>ENGINE SYSTEM</b>	
Engine Model	Kubota V3307-TE5A
Rated Power	kW/hp/rpm 55.4/75\2600
Displacement	L 3.331
Stroke	mm 94
Bore	mm 120
<b>WEIGHTS</b>	
Operating Weight	kg 4000
<b>POWERTRAIN</b>	
Travel Speed -F&R(unload)	km/h I : 11.9km/h ; II : 19km/h
<b>TIRE</b>	
Tyre	12×16.5-14PR
<b>HYDRAULIC SYSTEM</b>	
Hydraulic Flow – Standard	L/min/rpm 75
Loader Hydraulic Pressure	MPa 23.5
Hydraulic Flow – High Flow	L/min/rpm 110
Loader Hydraulic Pressure	MPa 23.5
<b>OPERATING SPEC</b>	
Rated Payload	kg 1360
Tipping Load	kg 2720
Breakout Force	kN 25.2
Traction Force	kN 29.5

<b>SERVICEREFILL CAPACITY</b>		
Chain Box, Each Side	L	26
Cooling System	L	11
Engine Crankcase	L	112
Fuel Tank	L	90
Hydraulic Tank	L	48

<b>DIMENSION</b>			
		Unit	SSL75V-M
A	Max.Operation Height	mm	4196
B	Bucket Pin Height	mm	3270
C	Cab Roof Height	mm	2065
D	Max.Height at Bucket Leveled	mm	3063
E	Length without Attachment	mm	2915
F	Length with Standard Bucket	mm	3687
H	Dumping Height	mm	2500
J	Reach Rollback	mm	936
M	Wheelbase	mm	1200
P	Ground Clearance	mm	205
R	Front Turning Radius without Attachment	mm	1338
S	Front Turning Radius	mm	2214
T	Rear Turning Radius	mm	1742
U	Tail Length	mm	1088
V	Center Distance between Two Wheels	mm	1507
W	Bucket Width	mm	1905
G	Dumping Angle at Max.Height	°	43
K	Bucket Angle on Ground	°	27
L	Bucket Rollback Angle At Max.Height	°	91
Q	Departure Angle	°	24.6



\* THE SPECIFICATIONS ARE SUBJECT TO CHANGE WITHOUT NOTICE. THE PICTURES MAY INCLUDE OPTIONS. THE ACTUAL COLOR & APPEARANCE OF THE PRODUCT MAY DIFFER FROM WHAT IS SHOWN.



Shantui Social

SHANTUI CONSTRUCTION MACHINERY CO., LTD.

ADD: No. 58, G327 Highway, Jining City, Shandong, CHINA

TEL: +86-537-2909369

FAX: +86-537-2311219

EMAIL: trade@shantui.com

WEB: www.shantui.com

**SHANTUI**  
VALUE THAT WORKS