

SHANTUI

SE17SR

Mini Excavator



Engine Model: Kubota D902
Gross Power: 11.8kW/2300rpm
Operating Weight: 1800kg

High Performance in a Compact Design

SE17SR SPECIFICATIONS

ENGINE

Model	KUBOTA D902
Type	Vertical, water cool, 4-cycle
No. of cylinder	3
Emission	EPA Tier 4 Final/Europe Stage V
Displacement	0.898L
Power output	11.8kW/2300rpm

HYDRAULIC SYSTEM

Type	Axial piston-variable displacement
Max. hydraulic flow	28L/min

DIGGING FORCE (ISO6015)

Bucket digging force	16kN
Arm digging force	9.5kN

BUCKET

Type	Backhoe bucket
Bucket capacity	0.04 m ³
Bucket width	450 mm

DRIVE SYSTEM

Type	Axial piston motor
Track roller	2×3
Track shoes	2×37
Travel speed	2.2/4.3km/h
Max. Drawbar pull	18kN
Grade ability	58%

SWING SYSTEM

Swing motor type	Cycloidal motor
Swing speed	0-9.5r/min
Brake type	Pressure release mechanical braking

REFILLING CAPACITIES & LUBRICATIONS

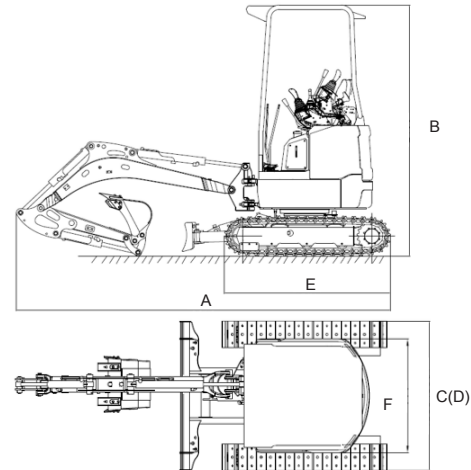
Fuel tank	19L
Cooling system	5L
Engine oil	3.7L
Hydraulic oil tank	20L

OPERATING WEIGHT AND GROUND PRESSURE

Shoe width	230mm
Ground pressure	29kPa
Operating weight	1800kg

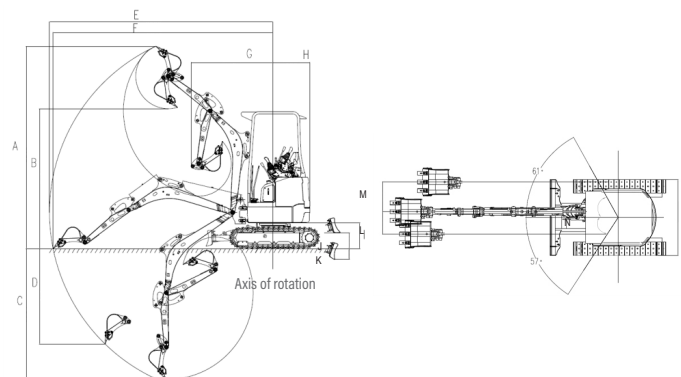
DIMENSIONS

		mm
A	Transport Length (arm lowered)	3570
B	Overall height(top of canopy)	2400
C	Undercarriage Width (Retracted)	990
D	Undercarriage Width (Extended)	1300
E	Undercarriage Length	1587
F	Upperbody width (zero tail)	990



WORKING RANGE

		mm
A	Max. digging height	3535
B	Max. dumping height	2445
C	Max. digging depth	2270
D	Max. vertical digging depth	1910
E	Max. digging radius	3910
F	Max. digging radius, at ground level	3845
G	Min. swing radius of work equipment	1495
H	Min. tail swing radius	650
I	Ground clearance of counterweight	450
J	Maximum Dozer Lift Height	280
K	Maximum Dozer Dig Depth	190
L	Maximum Boom Offset (LH)	385
M	Maximum Boom Offset (RH)	510
N	Boom Swing Angle (LH&RH)	57°/61°



* THE SPECIFICATIONS ARE SUBJECT TO CHANGE WITHOUT NOTICE. THE PICTURES MAY INCLUDE OPTIONS. THE ACTUAL COLOR & APPEARANCE OF THE PRODUCT MAY DIFFER FROM WHAT IS SHOWN.



Shantui Social

SHANTUI CONSTRUCTION MACHINERY CO., LTD.

ADD: No. 58, G327 Highway, Jining City, Shandong, CHINA

TEL: +86-537-2909369

FAX: +86-537-2311219

EMAIL: trade@shantui.com

WEB: www.shantui.com

SHANTUI
LET'S MAKE CONSTRUCTION EASIER