

SHANTUI

SE85

Crawler Excavator



Engine Model: Kubota V3307T
Gross Power: 48.9 kW/2000 rpm
Operating Weight: 8,350 kg
Bucket Capacity: 0.35 m³

Performance & Productivity Champion
superior digging force

SE85 SPECIFICATIONS

ENGINE

Model	Kubota V3307 T
Type	Water cooled, turbocharged
No. of cylinder	4
Emission	Tier 3 / Stage III
Displacement	3.3L
Power output	48.9kW/2000rpm

HYDRAULIC SYSTEM

Type	Variable piston pump
Max. discharge flow	172L/min

DIGGING FORCE (ISO6015)

Bucket	68 kN
Arm	45 kN

BUCKET

Type	Backhoe bucket
Capacity	0.13~0.40 (0.35)m ³
Width	920mm

TRAVEL SYSTEM

Type	Axial variable plunger motor
Track roller	5x2
Carrier roller	1x2
Track shoe	40x2
Travel speed	2.9/4.4 km/h
Max. Drawbar pull	86.5kN
Gradeability	70% (35°)

SWING SYSTEM

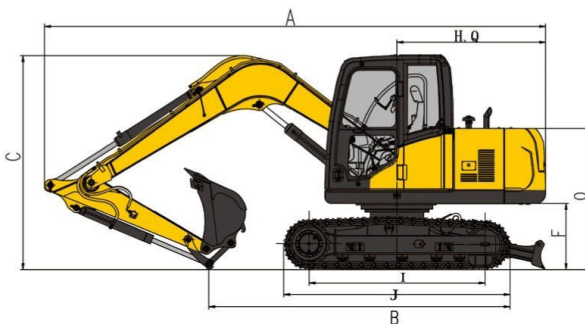
Swing motor type	Swash plate plunger motor
Swing speed	0~11.5r/min
Brake type	Pressure release, mechanical braking

REFILL CAPACITIES & LUBRICATIONS

Fuel tank	155L
Cooling system	11L
Engine oil	11L
Hydraulic oil tank	75L
System Capacity	145L

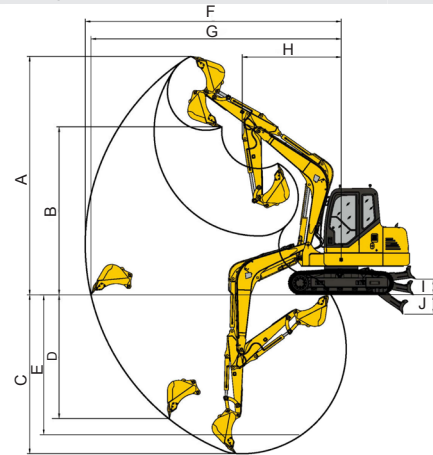
OPERATING WEIGHT AND GROUND PRESSURE

Shoe width	450mm
Ground pressure	34kPa
Operating weight	8350kg



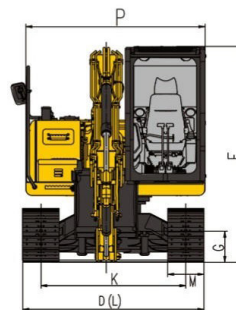
SCOPE OF WORK (mm) (BOOM: 3908 mm ARM: 1750 mm)

A	Max. digging height	7175
B	Max. dumping height	5025
C	Max. digging depth	4295
D	Max. vertical digging depth	3355
E	Max. depth cut for 2500mm level bottom	3770
F	Max. digging distance	6600
G	Max. digging radius at ground level	6455
H	Min. swing radius of work equipment	2105
I	Max lifting height of bulldozer	410
J	Max cutting depth of the bulldozer	200



DIMENSIONS (mm)

A	Overall length	6455
B	Ground contact length (Transportation)	4030
C	Overall height (to top of boom)	2700
D	Overall width	2306
E	Overall height (to top of cab)	2710
F	Counter weight ground clearance	862.5
G	Ground clearance	407.5
H	Tail swing radius	1880
I	Tread	2195
J	Track length	2950
K	Track gauge	1850
L	Track width	2300
M	Shoe width	450
O	Bonnet height	1755
P	Revolving frame width	2230
Q	Distance from swivel center to tail	1850



* THE SPECIFICATIONS ARE SUBJECT TO CHANGE WITHOUT NOTICE. THE PICTURES MAY INCLUDE OPTIONS. THE ACTUAL COLOR & APPEARANCE OF THE PRODUCT MAY DIFFER FROM WHAT IS SHOWN.



Shantui Social

SHANTUI CONSTRUCTION MACHINERY CO., LTD.
 ADD: No. 58, G327 Highway, Jining City, Shandong, CHINA
 TEL: +86-537-2909369
 FAX: +86-537-2311219
 EMAIL: trade@shantui.com
 WEB: www.shantui.com

SHANTUI
 LET'S MAKE CONSTRUCTION EASIER