

All Rights Reserved

Materials and specifications are subject to change without notice.
Featured machines in photos may include additional equipment. See your XCMG dealer for available options.



Mini Excavators
XE27E



XCMG European Sales and Services GmbH

Address: Europark Fichtenhain B 4,47807 Krefeld, Deutschland
Tel: +49 (0) 2151 8206 890
Fax: +49 (0) 2151 8206 899
E-Mail: info@xcmg-ess.de

XUZHOU CONSTRUCTION MACHINERY GROUP IMP. & EXP. CO., LTD

Address: No.1, Tuolanshan Road, Xuzhou Economic Developing Zone, Jiangsu, China 221004
Tel: + 86(0) 516 8773 9703
Fax: + 86(0) 516 8773 9230
E-Mail: europa@xcmg.com

www.xcmg.com

Rated power: 15.4 kW
Operating weight: 2.68 t
Standard bucket capacity: 0.06 m³



High Performance from a Compact Size

► A Superior Model with Passionate Design

Developed with the concept of "Safe, Reliable, Efficient, and Comfortable", the XE27E hydraulic excavator offers additional value to the operator. New features are introduced, making the machines more productive, versatile, and cost effective.

- The Kubota Stage V D1105 engine, along with our load-sensing hydraulic system, provides efficiency and fuel economy.
- This compact short-tail excavator is designed to perform a wide variety of tasks on the most challenging job sites. It does not matter whether it is in demolition, landscaping, earthmoving, or material handling. It gets the job done!
- Convenient accessible service points make maintenance easier and reduce your potential downtime.

Boom Swing

The boom swing function together with the zero tail swing allows you to work in very narrow areas. The left and right boom swing angle is respectively 75° and 55°, it makes the XE27E easy capable to realize complex tasks in difficult operation conditions like digging parallel to a wall in a narrow driveway.

Made for Easy Transportation

With a set of buckets, hammer, and a trailer, our XE27E weighs less than 3,5 tons. The easy accessible tie-down points make it easy to switch between your jobsites.



Complete Equipped with AUX1, AUX2, and Quick Coupler lines.

With the multiple programmable 2-way proportional auxiliary lines and quick-coupler piping the XE27E meets almost all of your attachment needs.

Boom, Arm Safety Valves and Blade Holding Valve as Standard

The XE27E is fitted as standard with a boom cylinder safety valve, an arm cylinder valve, and a dozer holding valve to dig and handle all your materials in a safe way.

Operational Comfort

► Large Operator Environment with Ergonomic Control Layout

The XE27E gives the operator a large comfortable space in which to work. The ergonomic control layout, travel levers with standard pedals, and adjustable wrist rests are engineered to reduce operator fatigue and increase productivity.





Easy Access for Maintenance

► Easy Service Access

The XE27E was developed with particular attention to ease of service access. With a single access point for the daily maintenance of all main components, fuel level gauge, and refueling through the lockable cap.



One-sided Engine Maintenance

The XE27E is designed for lower maintenance costs with longer service intervals - resulting in more machine availability on-site. Meanwhile, skilled XCMG-trained technicians are available to provide extra support when needed.



- ① Water separator
- ② Air cleaner
- ③ Engine oil filter
- ④ Fuel filter



Technical Specifications

■ Engine

XE27E	
Make/model	Kubota/D1105 /EU Stage V
Fuel/cooling	Diesel/Liquid,forced circulation
No. of cylinders	3
Piston displacement	1123 cm ³
Power output	15.4 kW (20.9 hp) / 2400 rpm (ISO 14396)
Max torque	70.3 N.m/1600 rpm
Bore x stroke	78.0x78.4 mm
Alternator	12 V/40 A

■ Hydraulic system

This original XCMG design allows independent and combined operations of all functions by hydraulic pilot controlled levers.

• Pump

XE27E	
Type	Load-sensing axial-piston pump with variable displacement
Maximum system flow rate	82.8 L/min
AUX1 & AUX2 maximum flow rate	25/7 L/min
AUX1/AUX2 standard relief pressure	180/180 bar

• Maximum system pressure

XE27E	
Boom	243 bar
Arm / bucket / travel	243bar/243 bar/243 bar
Swing	162 bar

■ Undercarriage

X-type undercarriage. The heavy-duty crawler chassis is very resilient with its fully welded, stress-free structure. Long service life is ensured by the use of first-class materials: hydraulic chain adjusters with shock-absorbing return springs, lifetime-lubricated track rollers, and idlers.

• Number of rollers and track shoes

XE27E	
Bottom rollers (per side)	3
Track shoes	Rubber
Overall track length	1980
Shoe width	300



■ Fluid capacities

XE27E	
Cooling system (radiator capacity)	6.5 L
Engine lubrication plus oil filter	5.1 L
Fuel tank	33 L
Hydraulic tank	22 L
Hydraulic system	40

■ Environment

Noise levels comply with environmental regulations (dynamic values).

• Noise emission

XE27E	
Noise level LpA (ISO 6396)	79 dB(A)
Noise level LwA (ISO 6395)	93 dB(A)

■ Swing mechanism

A high-torque, axial piston motor with a planetary reduction gear bathed in oil. The swing circle is a single-row, shear-type ball bearing with an induction-hardened internal gear. Internal gear and pinion gear are immersed in lubricant. Equipped with an automatic multi-disc slew brake.

• Swing system

XE27E	
Boom swing, left	75°
Boom swing, right	55°
Slew rate	10 rpm

■ Drive

Each track is driven by an independent, high-torque, axial piston motor through planetary reduction gears. Two control levers provide smooth travel upon demand.

• Speed & traction

XE27E	
Travel speed (low - high)	2-3.1 km/h
Traction force	29.7 kN
Gradeability	30°

■ Digging forces (ISO 6015)

XE27E	
Digging force, long arm (ISO 6015)	14 kN
Digging force, bucket (ISO 6015)	23 kN

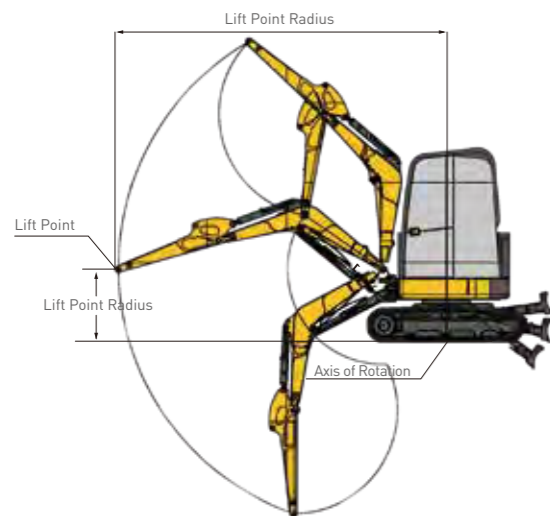
■ Weight

XE27E	
Operating weight with canopy and bucket (ISO 6016)	2680 kg
Ground pressure with rubber tracks	25.5 kPa
Transport mass (no attachment)	2650 kg
Weight of steel tracks	200 kg
Weight of rubber tracks	134.5 kg

XE27E

With canopy standard arm (1300 mm) without bucket

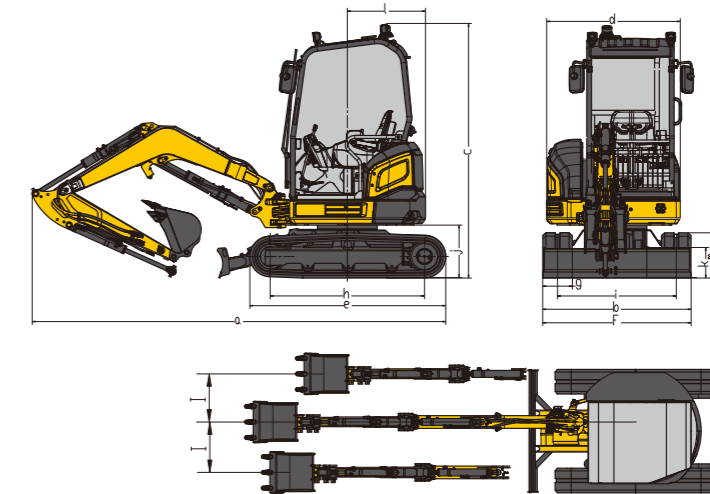
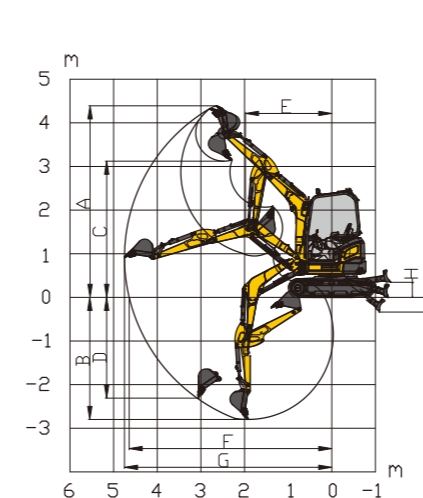
Lift Point Height	Over front blade up/down				Over Side					
	Lift At Max Radius (kg)	1.0 m	2.0 m	3.0 m	4.0 m	Lift At Max Radius (kg)	1.0 m	2.0 m	3.0 m	4.0 m
3 m	386			*435		278				346
2 m	296			466		210				336
1 m	269		811	435	281	189		551		197
Ground	277		756	410		193		501		284
-1 m	334	*1229	758	406		232	*1229	503		280
-2 m	*475		*596			445		538		



: Over front
 : Over side or 360°

All that marked with(*) refers to the lifting capacity limited by the hydraulic capacity.

- The lifting capacity refers to the upward pressure without the outside intervention.
- The lifting capacity displayed should not exceed 75% of the minimum tipping amount or 87% of the hydraulic capacity.
- The critical stable position is on the side of the machine.
- The lifting capacity is only applicable for the machine produced originally by the manufacturer and the machine assembled normally by the manufacturer.
- The machine weight is 2680Kg, including steel track shoe(300mm),-boom(2.09m),arm(1.3m),counterweight(354.74kg) and all the working fluid and the operator(75Kg).
- The lifting capacity is in accordance with ISO 10567:2007



Working range

	XE27E	
A	Maximum digging height	4390 mm
B	Maximum dumping height	3120 mm
C	Maximum digging depth	2800 mm
D	Maximum vertical wall digging depth	2310 mm
E	Maximum digging radius	4750 mm
F	Minimum swing radius	1980 mm
G	Maximum dozer lifting height	300 mm
H	Maximum dozer cutting depth	330 mm
I	Boom offset (left/right)	75/55 mm

Dimensions

	XE27E	
A	Overall length	4190 mm
B	Overall width	1500 mm
C	Overall height	2580 mm
D	Width of platform	1350 mm
E	Length of crawler	1980 mm
F	Width of chassis	1500 mm
G	Width of crawler	300 mm
H	Distance between tumbler	1560 mm
I	Track gauge	1200 mm
J	Counterweight clearance	535 mm
K	Minimum ground clearance	290 mm
L	Minimum tail swing radius	790 mm
M	Track height	457 mm

Standard and Optional Equipment

Engine

Kubota engine D1105, EU stage V	●
---------------------------------	---

Hydraulic system

Single or dual way pipeline (AUX1)	●
Dual way pipeline (AUX2)	●
Hydraulic quick coupler pipeline	●
Fingertip proportional control	●

Canopy & interior

TOPS/ROPS (ISO 3471)	●
OPG	○
AM/FM radio with Bluetooth	●
DAB radio with Bluetooth	○
Adjustable seat with retractable belt	●
Color LCD monitor	●

Undercarriage

Fixed undercarriage	●
Dozer blade	●
Rubber tracks 300 mm	●
Steel tracks 300 mm	○
Track guards	○

Safety

Boom, arm, dozer cylinder safety valves	●
Rotating beacon	○
Engine overheat warning and restart prevention system	●
Quick coupler switch with alarm	●
Emergency stop switch	●
Front cab protection	○
LED work lights (2 on cab-front, 1 on boom)	●
Tie down bracket for easy transport fixation	●

Other

Long arm 1300 mm	●
General purpose bucket 0.061 m ³ (600 mm)	○

Standard: ●
Optional: ○

-Some of this standard or optional equipment may not be available for certain markets.
 -Pictures may include attachments and optional equipment that are not available in your area.
 -Materials and specifications are subject to change without advance notice.
 -Please contact your local XCMG dealer for more information on availability or to customize your machine to suit your applications requirements.

Optimum Services, XCMG Guaranteed



XCMG-approved attachments



Genuine parts



Extension of warranty



Financial solutions



Maintenance contract



Telematics

Professional Integrated Complete Solutions

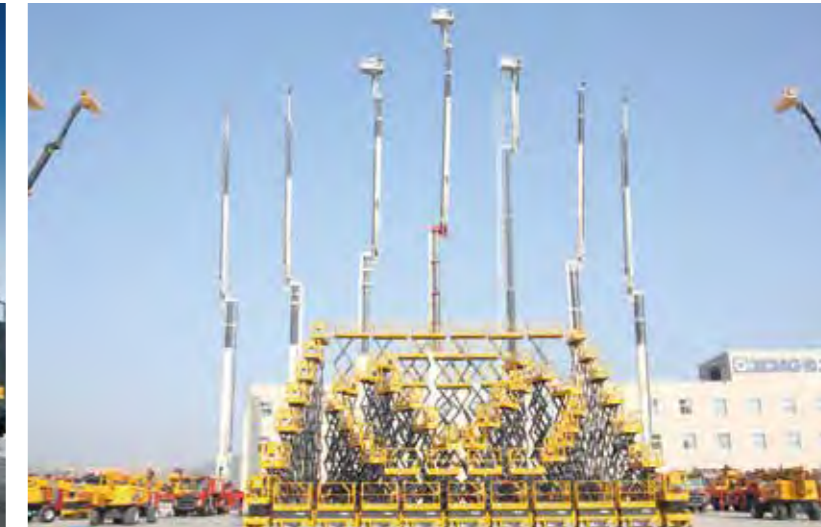
The XCMG group has built a strong reputation based on the quality, reliability and durability of its construction machinery. What's more, XCMG has gradually established a service network to constantly provide its local integrated and highly efficient complete solutions for all customers.

Full Range of Services Ready for you

In order to respond to your needs as fast as possible, XCMG experts are on their way to your job site from one of our facilities near you. A full range of services is available in order to reduce your total cost of ownership and increase your revenue.



XCMG Global Spare parts System



Mobile cranes

Excavators

Aerial work platforms

Wheel loaders

Road machinery

